



Main Features

- 10.4" XGA TFT LCD panel
- Slim bezel and compact design
- Automatic/manual brightness control
- Wide range power input from 9 ~ 36V DC
- Projected capacitive touch screen with multi-touch
- Support HDMI input to connect to a computer
- High brightness display for outdoor applications
- Compliant with IP65

Product Overview

The VMD 3111 is a robust 10.4-inch TFT LCD monitor featuring enhanced brightness, a projected capacitive touchscreen, and high-performance loudspeakers. Its IP65-compliant design ensures durability, protecting the device from dust and water ingress in challenging environments. The VMD3111, featuring HDMI connectivity, provides drivers with real-time insights into optimal routes, traffic conditions, and dispatch assignments. This visual enhancement significantly contributes to the safety and efficiency of fleet management systems. With a 1200 nit ultra-high brightness display and adaptive brightness control, it is an ideal solution for in-vehicle and outdoor applications.

Specifications

General

- Enclosure: Plastic PC + ABS
- Mounting: Support VESA 75/100
- Power input: 9 ~ 36V DC
- Ingress protection: IP65
- Dimension: 256.5mm x 202.1mm x 31.5 mm
- Weight: 1.67Kg

LCD Panel

- 10.4-inch TFT LCD panel with LED backlight
- 1024 x 768 pixels (XGA)
- Brightness: 1200 cd/m²
- Viewing angle: 170° (H):170°(V)
- Contrast ratio: 1000:1 (typical)

Touch Screen Sensor

- Projected capacitive touchscreen
- Surface hardness: 6H
- Anti-Glare coating
- Multiple touch
- Transmittance: ≥ 85%

I/O Interface-Front

- 1 x LED indicator (Power on/off, Auto Back-light)
- 2 x Built-in 1W 8ohm speaker

I/O Interface-Lateral

- On screen display buttons x 7
 - Display power on/off
 - OSD menu
 - Volume control (+/-)
 - Brightness control (+/-)
 - Auto configuration (reserved)

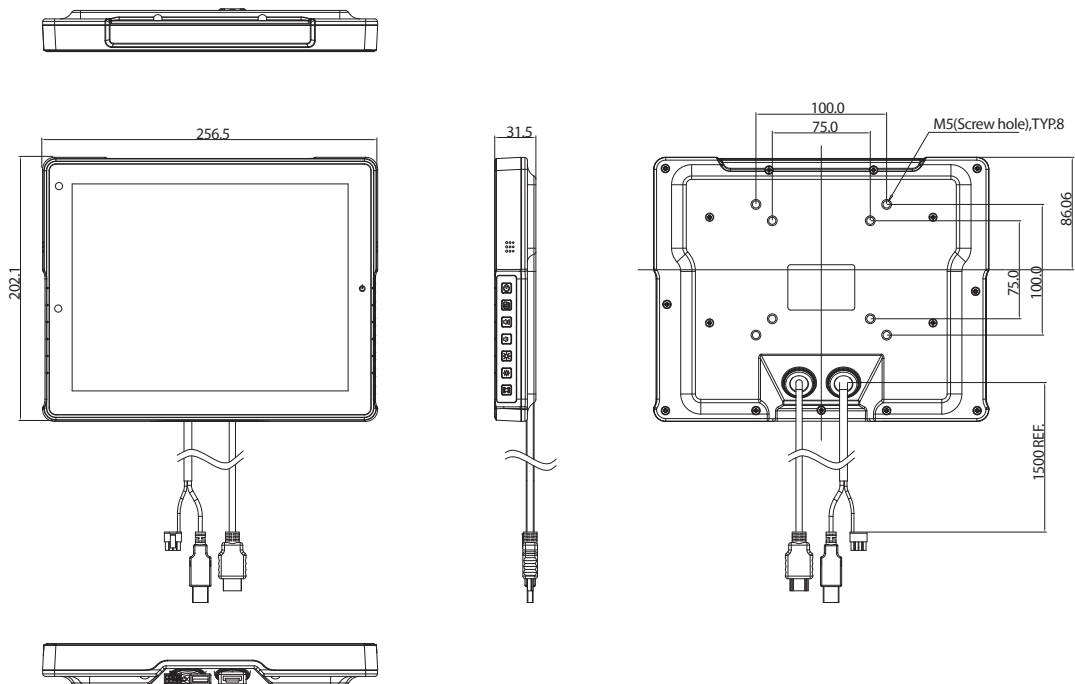
I/O Interface-Bottom

- Pigtail with multiple IO interface
 - 1 x HDMI
 - 1 x USB
 - 1 x Power input connector (9 ~ 36V DC)

Environment

- Operating temperature: -30°C to 60°C
- Storage temperature: -40°C to 80°C
- Relative humidity: 90% (non-condensing)

Dimension Drawing



- Vibration (random)
 - 2g@ 5~500 Hz (in operation)
- Vibration
 - Operating: MIL-STD-810H, Method 514.8C, Procedure 1, Category 4, common carrier US highway truck vibration exposure
 - Storage: MIL-STD-810H, Method 514.8E, Procedure 1, Category 24, minimum integrity test
- Shock
 - Operating: MIL-STD-810H, Method 516.8, Procedure I, functional shock=40g
 - Non-operating: MIL-STD-810H, Method 516.8, Procedure V, crash hazard shock test=75g

Standards/Certifications

- CE
- FCC Class B

Ordering Information

- **VMD 3111-5PH (P/N: 10VD0311100X0)**
10.4" XGA vehicle mount display with projected capacitive touch screen, HDMI interface