

S101G7

10.1" ARM Genio 700 2 x A78 + 6 x A55 Android Rugged Tablet



KEY FEATURES

- 10.1" 1920x1200 LED Panel with PCAP Touch
- Android 13.0
- 4G RAM + 64G eMMC
- ARM Genio 700 2 x A78 2.2GHz + 6 x A55 2.0GHz
- Optional WWAN 4G and 5G
- MIL-STD-810H Shock / Drop / Vibration Compliant
- Optional Barcode Reader and NFC Reader

INTRODUCTION

Winmate S101 Series Android Rugged Tablet is designed for versatile industrial and field applications, offering durable performance with Android™ 11 or 13. Featuring a 10.1" sunlight-readable display with PCAP touch, 8MP front and 13MP rear cameras, and MIL-STD-810H certification, it withstands shocks, drops, and vibrations. Optional features like 1D/2D barcode and NFC readers enhance productivity, while its robust build ensures reliability in logistics, warehousing, and industrial environments, making it the ultimate rugged tablet solution.

SPECIFICATIONS

Display

Resolution	1920x1200	Size	10.1 inches
Contrast Ratio	800:1	Panel Brightness	800.0 nits
View Angles	85,85,85,85	Bonding	Optical Bonding for Sunlight Viewability
Type	Projected Capacitive Multi Touch	Viewability	Anti-Glare touch treatment
Touch Mode	Support Hand / Gloves and Rain Mode		

System Specification

Processor	MediaTek Genio 700, Octa-core, up to 2.2 GHz	Memory	4GB
Storage	64GB	Operating System	Android 13.0
WLAN	Support	BT	Support
WWAN	4G (Optional) 5G (Optional)	GNSS	GPS/GLONASS
RFID	NFC (Read / Write, Peer to Peer mode) (Optional)	Sensors	Ambient Light Sensor, E-Compass, Gyro, Acceleration Sensors

Camera

Front Camera	8MP Camera	Rear Camera	13MP Camera with LED Auxiliary Light (Auto Focus)
---------------------	------------	--------------------	---

Mechanical

Dimension	268 x 187 x 22.2 mm	Weight	1.0 kg
------------------	---------------------	---------------	--------

IO Ports

USB Port	1 x USB Type C OTG (Type C support Power Delivery 20V In) 1 x USB Type A	SD Card Slot	1 x Micro SD Card Slot
-----------------	--	---------------------	------------------------

SIM Card Slot	1 x SIM Card Slot	Video	1 x Micro HDMI (Optional)
Audio	1 x Audio Combo connector (Mic in or Line Out) 1 x Speaker	LAN	1 x RJ45
Indicator	2 x LED Indicators (Power, Battery)	Docking Connector	1 x Docking Connector

Environment

Operating Humidity	10% to 90% RH, Non-Condensing	Operating Temperature	-20°C to 60°C
Storage Temperature	-30°C to 70°C	Shock	MIL-STD-810H Method 516.8 Procedure I
Vibration	MIL-STD-810H Method 514.8 Procedure I	IP rating	IP65
Drop	MIL-STD-810H Method 516.8, 4 ft		

Certification

Certification	CE, FCC
----------------------	---------

Control

Button	1 x Power Button, 2 x Function button
---------------	---------------------------------------

Power

Battery	11.4V, typ. 3500 mAh Li-Ion Battery(39.9Wh), Support Warm Swap function (Optional)	Battery Operating Time	10Hr
Power Rating	19V	Adapter	19V 3.42A Adapter

Security Function

SOTI MobiControl	SOTI MobiControl Compliance	Kensington Lock	Kensington Lock
-------------------------	-----------------------------	------------------------	-----------------

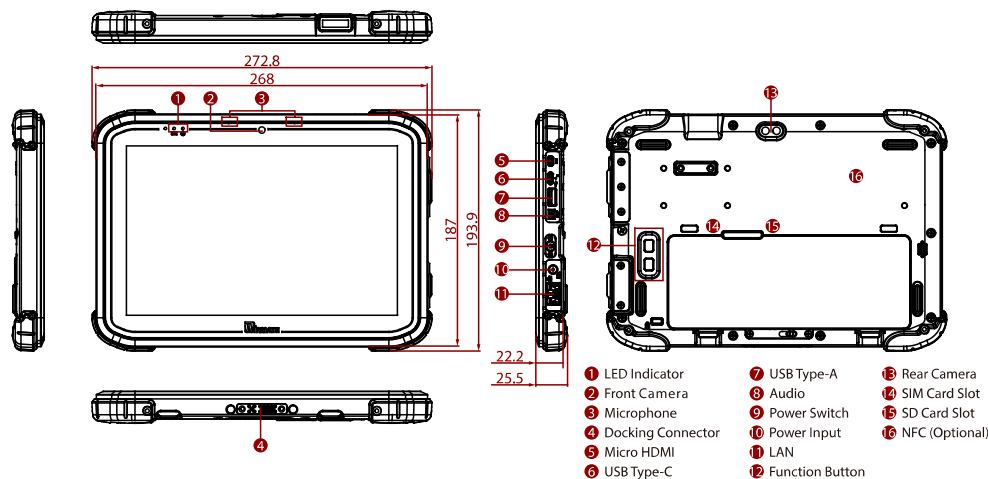
Barcode Scanner

Barcode Scanner	1D/2D Barcode Reader (Optional)
------------------------	---------------------------------

Accessory

Accessory	Adapter and Power Cord Standard Battery	Optional Accessory	Hand Strap Shoulder Strap Battery Charger High Capacity Battery Capacitive Stylus VESA Mount Kit Vehicle Charger Vehicle Cradle Vehicle Docking Carry Bag Desk Dock Micro SD Card
------------------	--	---------------------------	--

DIMENSIONS UNIT:MM



NOTE

1. This is a simplified drawing and some components are not marked in detail.
2. Please contact our sales representative if you need further product information.
3. All specifications are subject to change without prior notice.
4. The product shown in this datasheet is a standard model. For diagrams that contain customized or optional I/O, please contact the Winmate Sales Team for more information.