

IEXP-512

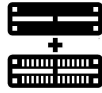
12th Gen Intel Alder Lake U Series Deca-Core Processor



Features:



All-aluminum alloy structure, fanless cooling design



1xM.2 slot + 1xMSATA slot + 1xMini PCIE slot (support M.2 SSD + MSATA SSD + WIFI/4G at the same time)



2xDDR5 4800MHz SODIMM, max 64 GB



Dual Display

2xDP, synchronous/asynchronous dual display



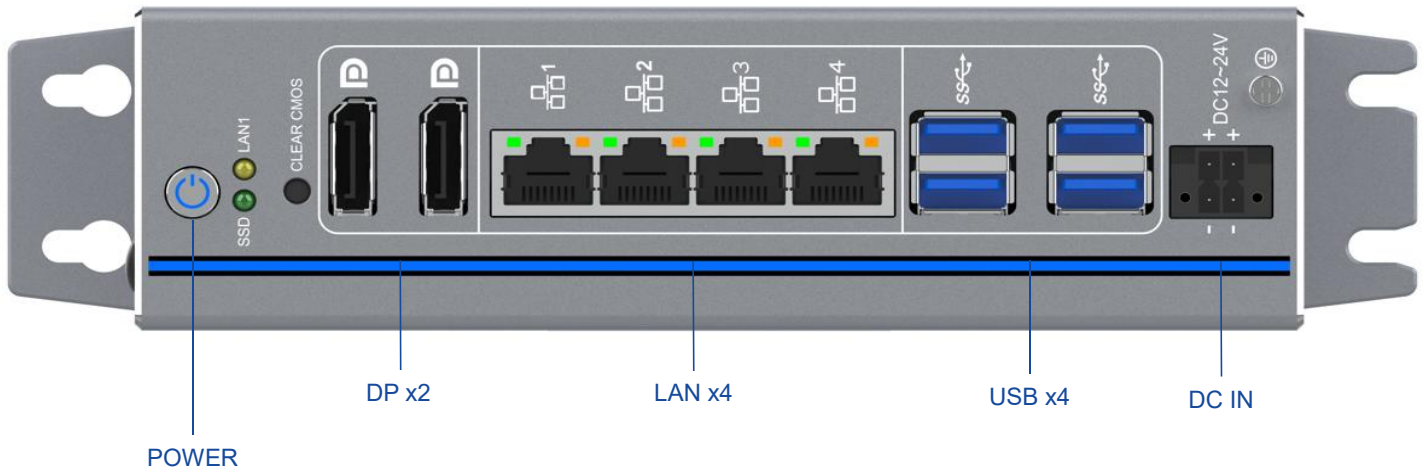
Multi-LAN

3xIntel i210 lan + 1xIntel i219 lan (LAN1 support Vpro)



USB 3.0

4xUSB3.0



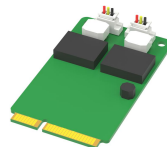
Optional extensions



4G Module



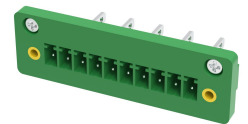
WIFI/Bluetooth Module



CAN



COM



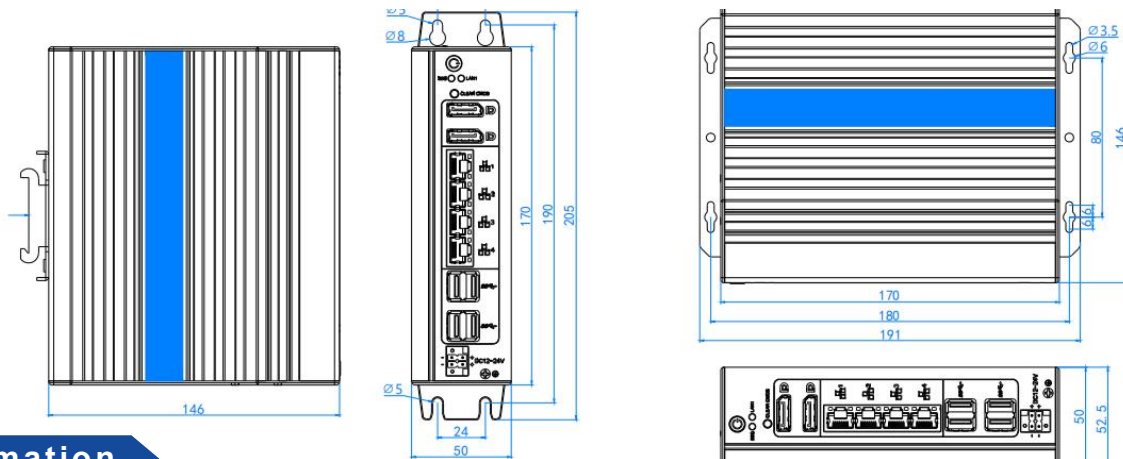
GPIO

Specification

Parameter		Storage	
Processor	Intel i5-1235U (10 core 12 threads, Turbo. 4.4 GHz) Intel i7-1255U (10 core 12 threads, Turbo. 4.7 GHz)	M.2	1x M.2 2280 M-key slot (support SATA SSD & NVME SSD PCEIE 1X)
Chipset	Alder Lake-U	MSATA	1xMSATA
Memory	2xDDR5 4800MHz SODIMM, Max 64 GB	Expansion	
Graphics Card		Mini PCIE	1x full-length Mini PCIe slot (support PCIE & USB2.0 signal, 4G/WIFI/Bluetooth optional), internal Nano-SIM card slot
Graphics	Intel(R) Iris(R) Xe Graphics	Dimension	
Display	2xDP(Resolution 7680 x 4320 @60Hz)	Size	205 * 146 * 50 mm
Network		Weight	1.54 kg
Lan Port	3xIntel i210-AT, 1xIntel i219-LM 1000M Ethernet	Installation	Wall-mounted (standard included), Din rail (optional), Desktop (default support)
I/O		Environment	
USB	4xUSB 3.0	Temperature	-20℃~+60℃, Surface air flow
COM	Standard None, Optional 2xCOM (COM1/2 RS232/485)	Humidity	5%~95% Non-condensing state
Audio	/	Other Function	
Power Supply		Application	Industrial Automation, Medical, Logistics & Transportation, Warehousing, e-education and other fields.
Power Supply	1x4Pin Phoenix terminal power supply, DC 12V~24V wide voltage input		

Drawing

Unit: mm



Order Information

Configuration	Specs
1	Intel Core i5 1235U, 4xLan/4xUSB
2	Intel Core i7 1255U, 4xLan/4xUSB

Packing List

Name	Quantity	Note
Power adapter	1	Optional 12V 7.5A
Power cable	1	CN, US, UK, EU, etc
Wall mount	1	Standard