

# MOS-1120Y-0201E

# MOS-1121Y-0201E

# MOS-1120Y-1401E

# MOS-1121Y-1401E

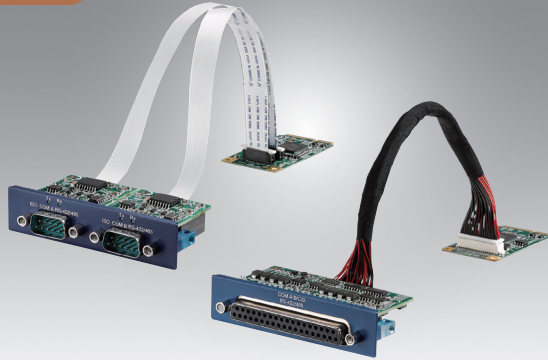
Isolated RS-232, 2-Ports, DB9, PCIe I/F

Isolated RS-422/485, 2-Ports, DB9, PCIe I/F

Non-Isolated RS-232, 4-Ports, DB9, PCIe I/F

Non-Isolated RS-422/485, 4-Ports, DB9, PCIe I/F

**NEW**



## Features

- Meets Advantech Standard iDoor Technology
- PCI Express® Mini Card Specification Revision 1.2 compliant
- Speeds up to 921.6 kbps for extremely fast data transmission
- Supports any baud rate setting (50bps-921.6kbps)
- Supports both Isolated & Non-Isolated Protection with 2/4 Ports RS-232/422/485
- I/O address automatically assigned by PCIe plug & play
- Operating systems supported: Windows XP/Vista/7, and Linux 2.4/2.6
- OXPCle952/OXPCle954 UART with 128-byte FIFOs standard
- Supports ARK-2121L and ARK-6322

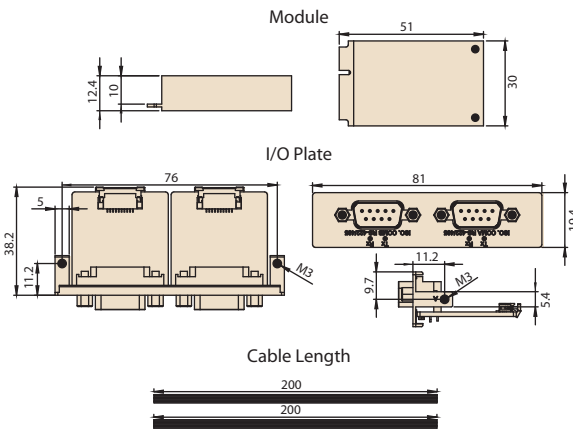
## Specifications

|                |                       |   |
|----------------|-----------------------|---|
| General        | Bus Type              | PCI Express Mini Card Revision 1.2  |
|                | Certification         | CE, FCC class A   |
|                | Connectors            | 2 x Male DB9 for MOS-1120Y-XXXXE<br>1 x Female DB37 for MOS-1121Y-XXXXE   |
|                | Dimensions            | Module: 51 x 30 x 12.4 mm (2" x 1.18" x 0.49")<br>I/O Plate: 81 x 19.4 x 41 mm (3.19" x 0.76" x 1.61")  |
|                | Power Consumption     | 400 mA @ +3.3 V for MOS-1120Y-XXXXE<br>500 mA @ +3.3 V for MOS-1121Y-XXXXE  |
| Communications | Comm. Controller      | OxPCle952 for MOS-1120Y-XXXXE<br>OxPCle954 for MOS-1121Y-XXXXE  |
|                | Data Bits             | 5, 6, 7, 8  |
|                | Data Signals          | RS-232: TX, RX, RTS, CTS, DTR, DSR, DCD, DI, GND<br>RS-422: TX+, TX-, RX+, RX-, (MOS-1121Y-1401E)<br>TX+, TX-, RX+, RX-, CTS+, CTS-, RTS+, RTS- (MOS-1121Y-0201E)<br>RS-485: Data+, Data- |
|                | FIFO                  | 128 bytes   |
|                | Flow Control          | RTS/CTS (MOS-1121Y-1401E not supported), Xon/Xoff   |
|                | Parity                | None, Odd, Even, Mark and Space   |
|                | Speed                 | 50 bps ~ 921.6 kbps (MOS-1121Y-0201E & MOS-1121Y-1401E only) and any other baud rate setting 230.4 kbps   |
| Protection     | Stop Bits             | 1, 1.5, 2   |
|                | Isolation Protection  | 2,000 V <sub>DC</sub> for MOS-1120Y-XXXXE only  |
|                | ESD Protection        | 15 KV   |
|                | EFT Protection        | 2,500 V   |
| Software       | Surge Protection      | 1,000 V <sub>DC</sub>   |
|                | Bundled Software      | ICOM Tools & Drivers  |
| Environment    | OS Support            | Microsoft® Windows® XP/Vista/7 and Linux  |
|                | Humidity (Operating)  | 5-95% RH, non-condensing  |
|                | Operating Temperature | -20 ~ 60° C (-4 ~ 140° F)   |
|                | Storage Temperature   | -40 ~ 85° C (-40 ~ 185° F)  |

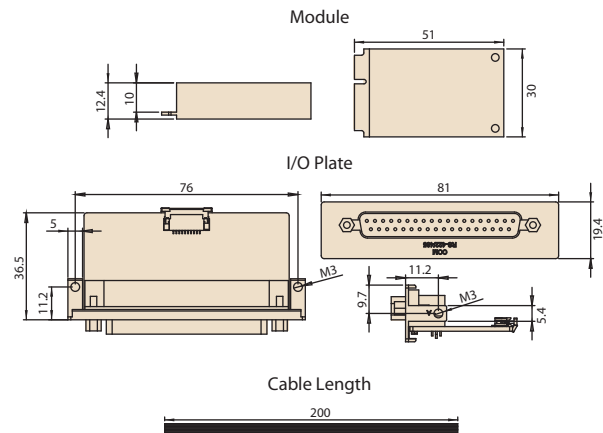
## Dimensions

Unit: mm

### MOS-1120Y-XXXXE/MOS-1121Y-1401E



### MOS-1121Y-XXXXE/MOS-1121Y-1401E



## Ordering Information

| Part Number     | Description                                     |
|-----------------|---|
| MOS-1120Y-0201E | Isolated RS-232, 2-Ports, DB9, PCIe I/F         |
| MOS-1121Y-0201E | Isolated RS-422/485, 2-Ports, DB9, PCIe I/F     |
| MOS-1120Y-1401E | Non-Isolated RS-232, 4-Ports, DB9, PCIe I/F     |
| MOS-1121Y-1401E | Non-Isolated RS-422/485, 4-Ports, DB9, PCIe I/F |