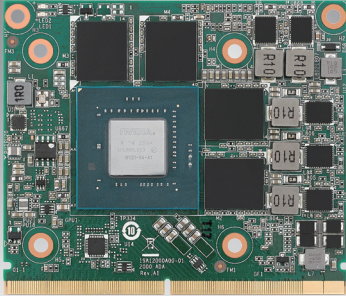


SKY-MXM-2000A

MXM 3.1 Type A NVIDIA® Quadro® Embedded 2000A with DP 1.4a



Features

- NVIDIA Ada-Lovelace architecture Quadro® 2000A with MXM 3.1 TYPE A form factor (82 x 70 mm)
- Up to 3072 CUDA cores, 24 RT cores and 96 Tensor cores, 12.99 TFLOPS
- GDDR6 8GB memory, 128-bit, bandwidth 256 GB/s
- Discrete or MS-Hybrid mode supported
- Memory Error Correction Code (ECC) supported
- Encode Sessions Unlimited
- GPUDirect® Remote Direct Memory Access (RDMA) and Video supported
- Up to 3 x DisplayPort 1.4a outputs
- Long life cycle, supports 5 years availability

CE FCC

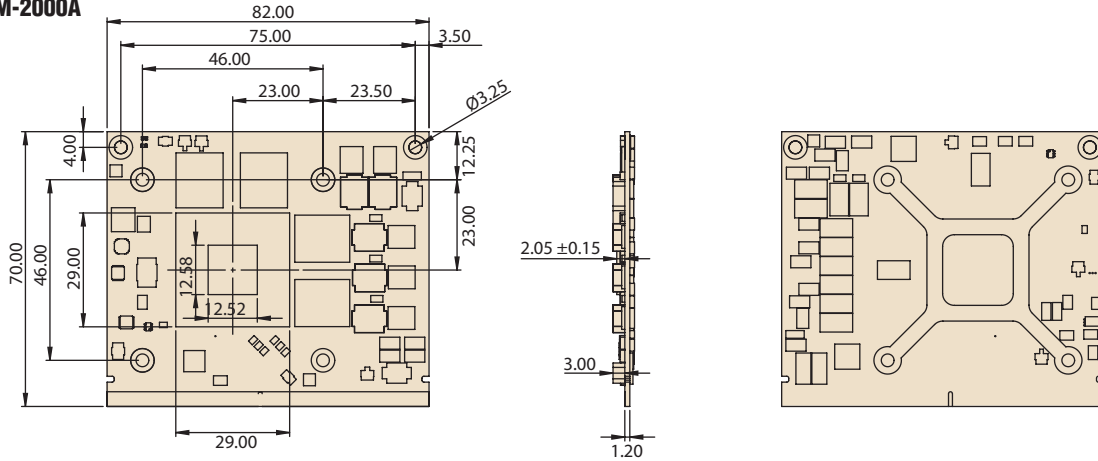
Specifications

Processor System	GPU	Quadro® 2000A	
	Graphic Architecture	NVIDIA® Ada-Lovelace AD107-975-A1	
	CUDA Parallel-Processing Cores	3072 CUDA® cores	
	GPU Base/Boost Clock	1635 MHZ / 2115 MHZ	
	RT Cores	24	
	Tensor Cores	96	
	FP32 Performance	12.99 TFLOPS	
Memory	Technology	GDDR6 8GB memory	
	Interface Width	128-bit	
	Bandwidth	256 GB/s	
	Memory ECC	Supported	
Graphics	DP	3 x DisplayPort 1.4a, 4K at 120Hz or 8K at 60Hz(Requires DSC) Support HDMI 2.0 via DP dual-mode, 4K at 60Hz	
	Display Mode	Discrete or MS-Hybrid mode supported	
Bus	PCI express 4.0	MXM 3.1, PCI Express Gen4 x8 supports	
Power Consumption	Max Power Consumption	60W	
Environment	Temperature	Operating	Non-Operating
		0 ~ 55 °C (dependent on CPU and cooler solution)	-40 ~ 85 °C
Humidity	40 °C @ 85% relative humidity (non-condensing)	60 °C @ 95% relative humidity (non-condensing)	
	Features	Encode Supported Sessions	Unlimited
Physical	RDMA	Supported	
	Dimensions	82 (W) x 70 (D) mm	
	Form Factor	MXM 3.1 Type A	
OS	Microsoft	Windows 10/11, 64-bit	
	Linux	Linux Drivers, 64-bit	

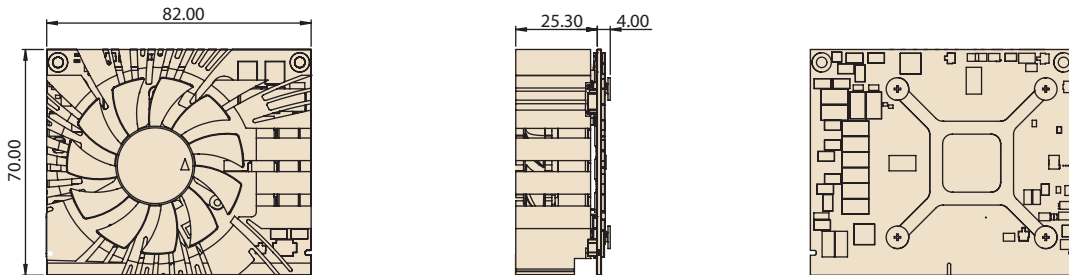
Dimensions

Unit: mm

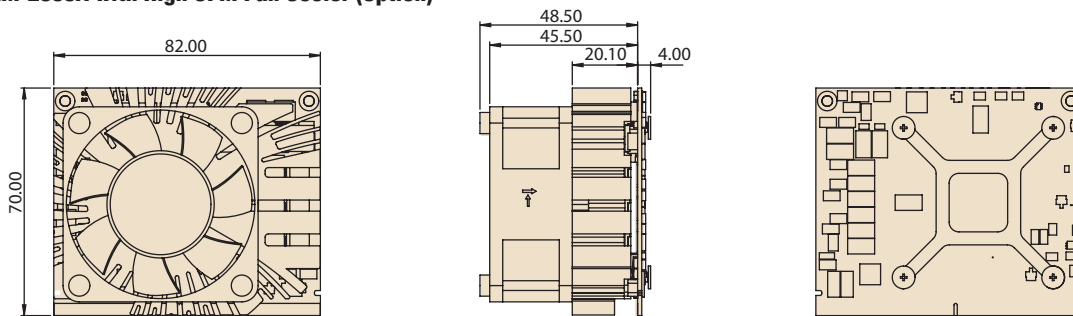
SKY-MXM-2000A



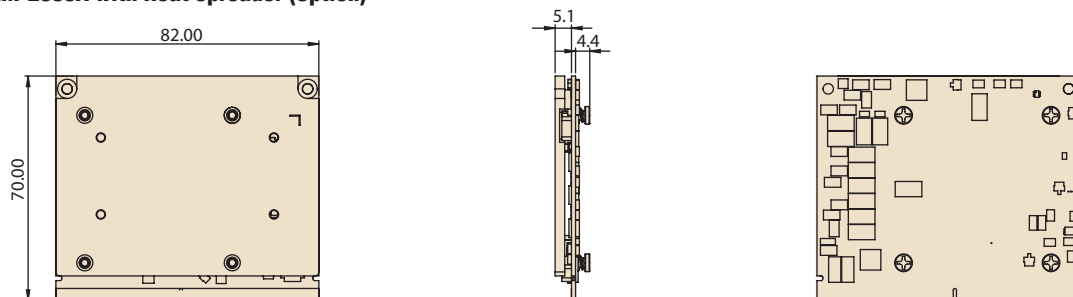
SKY-MXM-2000A with Standard Fan Cooler (Option)



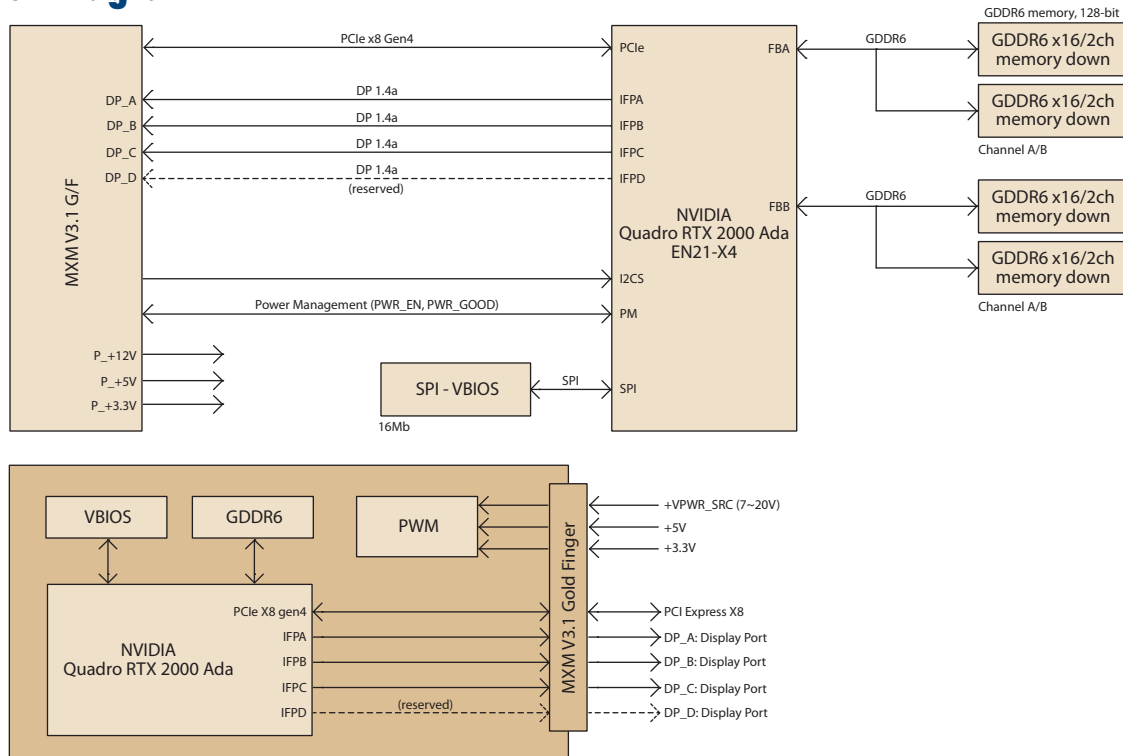
SKY-MXM-2000A with High CFM Fan Cooler (Option)



SKY-MXM-2000A with Heat Spreader (Option)



Block Diagram



Ordering Information

Part Number	GPU Memory	GPU Base/Boost Clock	RT Cores	Tensor Cores	FP32 Performance	Max Power Consumption	Display Connectors	Supported Features
SKY-MXM-2000A-8SDA	8GB GDDR6	1635 MHZ / 2115 MHZ	24	96	12.99 TFLOPS	60W	DP 1.4a * 4	Discrete Mode
SKY-MXM-2000A-8SHA	8GB GDDR6	1635 MHZ / 2115 MHZ	24	96	12.99 TFLOPS	60W	Headless Design	MS-Hybrid Mode

Optional Accessories

Thermal Solution

Part Number	Description	Material	Dimension (mm)	Operating Temp Support
98R1X200010	Standard Fan Cooler	Aluminum	69.82(L) x 82(W) x 25.2(H)	0 ~ 40°C
98R1X200011	High CFM Fan Cooler	Aluminum	69.82(L) x 82(W) x 45.4(H)	0 ~ 55°C
98R1X200000	Heat Spreader	Aluminum	62.35(L) x 82(W) x 4.9(H)	Depending on system thermal solution

MXM-Carrier

Part Number	Description	PCIe Interface	Dimension (mm)	Display Output
SKY-MXM-CARG4	MXM-Carrier PCIe to MXM PCIe Gen4	Gen4 x 16	235.95(L) x 162.2(H)	4 x DisplayPort 1.4a