

# AIM-68S

## 10.1" Industrial Tablet with Intel Alder Lake-N Processor



### Features

- Equipped with DeviceOn/iService software for remote device management
- Intel Alder Lake-N processor for Windows 11 IoT Enterprise (GAC)
- The battery with capacity meter that shows the remaining power and recharge status minimizes system interruptions for reliable long-duration operation
- Integrated barcode scanner supports data collection
- 10" WUXGA full HD display with scratch-resistant Corning® Gorilla® Glass 3 and multi-touch PCAP control
- Wi-Fi 6E, Bluetooth® 5.3, NFC technology for seamless communications
- Optional extension include 1D/2D barcode scanner, LAN module

### Introduction

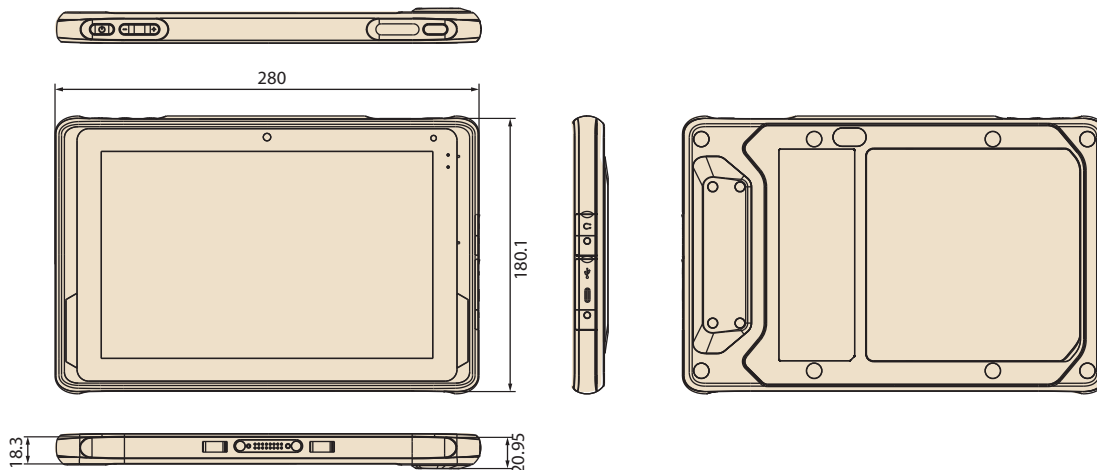
AIM-68S is an industrial-grade tablet equipped with IP65-rated protection and, Wi-Fi capabilities that enable mobile computing. AIM-68S can be integrated with built-in barcode and additional optional peripherals including a 1D/2D barcode scanner and LAN. This makes AIM-68S ideal for a wide range of operations in the manufacturing, warehouse, and retail industries.

### Specifications

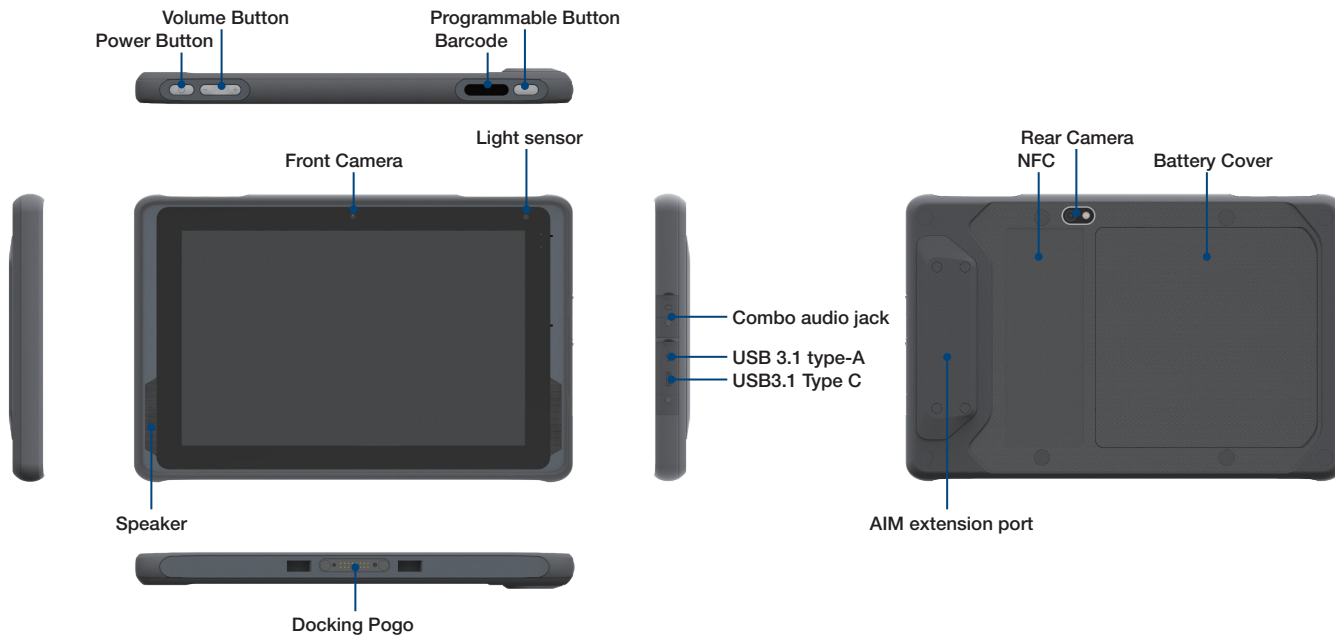
System	Processor	Intel® N200, 3.70 GHz
	Memory	8GB LPDDR5
	OS	Windows 11 IoT Enterprise (GAC)
Storage	Storage	m.2 NVMe SSD 128GB (Optional: 256GB)
Security		TPM 2.0
Display	Type	10.1" FHD LCD
	Resolution	WUXGA 1920 x 1200
	Brightness	380 cd/m <sup>2</sup>
	Touch Type	10-point multi-touch P-CAP touch control
	Glass Type	Corning® Gorilla® Glass 3
Communication	WLAN	IEEE 802.11a/b/g/n/ac/ax
	Bluetooth	Bluetooth® 5.3
Connectivity	NFC	13.56 MHz, compatible with ISO15693, ISO14443A, ISO 14443B, FeliCa
	Standard I/O	1x USB3.1 Type C for Charging &DP, 1x USB 3.1 type-A
	Extended I/O	1 x AIM extension 14-pin pogo connector: 1 x USB 2.0, 1 x 2-wire UART, 5V/1A power
	Docking	1 x AIM docking 16-pin pogo connector: 1 x USB 3.0, 12V power
	Speaker	2 x Internal speakers (2 W)
Audio	Audio Jack	1 x Audio combo jack (combines stereo audio output and mono microphone input)
Camera	Front	5.0-megapixel fixed-focus camera
	Rear	13.0-megapixel auto-focus camera with LED flash
Sensors		Ambient Light Sensor, e-Compass, G-sensor, Gyroscope
Barcode Scanner(Optional)		Integrated 1D/2D barcode scanner
Control Buttons		1 x Power button, 2 x volume keys (up/down), 1 x programmable function key
System Indicator		Full: green (100%); Charging: blue; Low: orange (≤10%)
Power System	Input Voltage	USB Type-C: 20V/3.25A Docking pogo: 12V/2A
	Battery	Smart battery with capacity LED indicators; 11.55V, 4010mAh, 46.31Wh, Operating time: 5.5 hr (depending on usage scenario*) Charging time: < 3 hr
Environment	Operating Temperature	-10 ~ 50 °C (14 ~ 122 °F)
	Charging Temperature	0 ~ 40 °C (32 ~ 104 °F)
	Storage Temperature	-20 ~ 60 °C (-4 ~ 140°F)
	IP Rating	IP65
	Shock	IEC60068-2-27
	Vibration	IEC60068-2-64
	Humidity	Operating: 40 °C @ 95% relative humidity, non-condensing Storage: 60 °C @ 95% relative humidity, non-condensing
Physical Characteristics	Drop Tested	Up to 120 cm (4 ft) onto plywood over concrete
	Dimension (W x D x H)	280 x 18.3 x 180.1 mm (11 x 0.7 x 7.1 in)
	Weight	1.1 Kg (2.4 lb)
Certifications	Color	Dark Grey
		FCC, CE, CB, UL, TELEC, VCCI, BSMI, NCC, CCC, SRRC, RCM, IC

## Dimensions

Unit: mm



## System I/O



## Ordering Information

Part Number	Description	Memory	Storage	LCD	Barcode	NFC	Wi-Fi/BT	F-Camera	R-Camera	OS
AIM-68S-201000	10I/N200/8G/128G/Win 11/Wifi 6E	8 GB	128 GB	380 nits	X	V	V	5M	13M	Windows 11 IoT Enterprise (GAC)
AIM-68S-201B00	10I/N200/8G/128G/Win 11/Wifi 6E/W BCR	8 GB	128 GB	380 nits	V	V	V	5M	13M	Windows 11 IoT Enterprise (GAC)

## Optional Accessories

Part Number	Description
1700001524	Power cord (USA) UL 3P 10A 125V 183 cm
1700008921	Power cord (Japan) PSE 3P 7A 125V 183 cm
1700019146	Power cord (China) CCC 3P 10A 250V 183 cm
1700018553	Power cord (NZ/AU) SAA 3P 10A 250V 183 cm
170203180A	Power cord (UK) BSI 3P 10A 250V 183 cm
170203183C	Power cord (EU) 3P 2.5A 250V 183 cm

## AIM-68S Packing List

Description
1 x AIM-68S
1 x AC/DC adaptor
1 x 2-pin power cord (TW)

# DeviceOn/iService

## Unified Remote Device Management Software



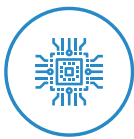
### Features

- Supports Advantech devices equipped with Windows, Android, and Linux OS
- Flexible device, location, user, and permissions management
- Enables remote monitoring and control of hardware, software, and peripherals
- Supports over-the-air (OTA) firmware and software updates
- Ensures quick, easy, and secure device onboarding
- RESTful APIs for third-party system integration

### Introduction

Advantech's DeviceOn/iService is a next-generation unified device management solution based on the WISE-DeviceOn platform. Designed to enable centralized monitoring and remote management, DeviceOn/iService supports Advantech devices equipped with Windows, Linux, or Android operating systems. The software also supports the management of applications and integrated peripherals, such as a barcode scanner, card reader, camera, and printer. Users can remotely access and control connected devices, take screenshots, rollout OTA upgrades, and use remote desktop capabilities for troubleshooting from any location at any time. Moreover, DeviceOn/iService supports batch operations to facilitate the management of multiple devices simultaneously for easy and convenient device configuration and deployment.

### Total Management



#### Devices & Hardware

- Windows, Linux, Android
- Hardware, storage, battery



#### Software & Peripherals

- Software monitoring & access
- Screens, USB devices, printers



#### Open for Expansion

- Peripheral integration
- Open APIs for integration

### Remote Access



#### Real-Time Monitoring

- Connection/hardware status
- Software/peripheral status
- Failure notifications



#### Remote Controls

- Power controls
- Audio, backlight controls
- Software controls



#### Troubleshooting

- Screenshots
- Remote desktop support

### Operational Efficiency



#### OTA updates

- System/software updates
- File repository management
- App store



#### Batch Controls

- 1-to-many batch reboot, etc.
- Time-saving tasks

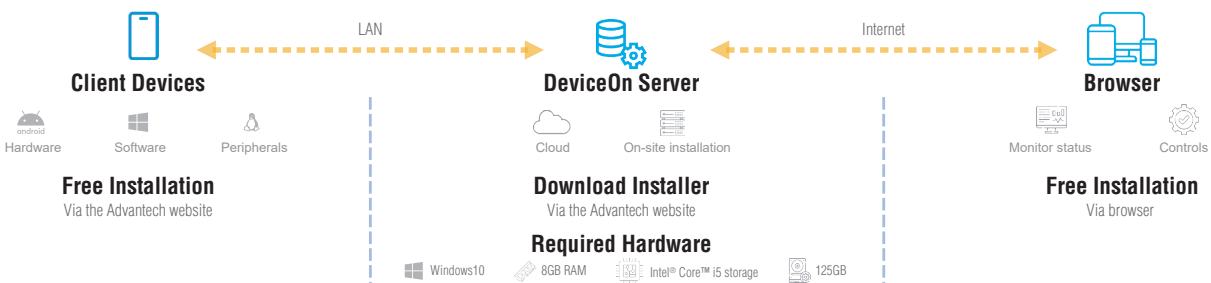


#### Setup Booster

- Software/peripheral watchlist
- Roles, rule templates

Note: Some functions may vary according to the product

### System Architecture



# AIM-68S Vehicle Docking Station



## Features

- Compatible with 9 ~ 32 V<sub>DC</sub> in-vehicle power supply
- Easy and instant single-handed docking and undocking
- Anti-theft locking mechanism
- External GPS antenna
- Programmable function keys
- High-density connectors
- Compliant with IEC60068-2-64 for vibration and IEC60068-2-27 for shock tolerance
- Safe and reliable design for vehicle applications

## Specifications

		Fully Configured Unit	Charging Dock Only
I/O	High-Density Connector	1 x CAN bus (supports raw CAN, J1939, OBD-II/ISO 15765) with configurable firmware 5 x Digital inputs 1 x Odometer (supports dry and wet contact) with configurable and switchable firmware (default wet contact) 2 x Digital outputs (supports speed pulse) 1 x RS-232 (4 wire) 1 x RS-232/485 (2 wire) (default RS-485, termination enabled) 1 x USB 2.0 1 x Power input 12 V 1 A	1 x Power input 12 V 1 A
GPS	GPS Extended	1 x External GPS antenna	N/A
Function Keys		5 x Programmable function keys	N/A
Key Lock		Anti-theft key lock (key can be removed)	N/A
Power	Input Voltage	Supports 12/24 V vehicle power (9 ~ 32 V <sub>DC</sub> input range)	
Mechanical	Dimensions (W x D x H)	226 x 83.08 x 250.24 mm (8.9 x 3.27 x 9.9 in)	
	Weight	0.77 kg (1.70 lb)	
Environment	Operating Temperature	-10 ~ 50 °C (14 ~ 122 °F); 0 ~ 40 °C (32 ~ 104 °F) for charging	
	Storage Temperature	-30 ~ 80 °C (-22 ~ 176 °F)	
	IP Rating	IP54	
	Vibration/Shock	IEC60068-2-64 for vibration and IEC60068-2-27 for shock tolerance	
	Safety	UL, CB, LVD, CCC	
	Vehicle Power Regulation	E-Mark, ISO7637-2	
	Certifications	CE, FCC, CCC	

## Ordering Information

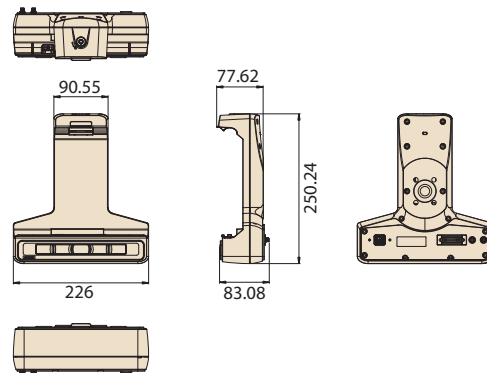
Part Number	Description
AIM-VED0-0422	AIM vehicle docking station (full configuration)
AIM-VED0-0423	AIM vehicle docking station (charging only)
1700026766-01	High-density cable
PWS-770-GPSAN00E	External GPS antenna
1700027666-01	Vehicle power cable (In-house engineer testing only)
1700027665-01	Vehicle power cable (vehicle battery)

## Packing List

Item	AIM-VED0-0422	AIM-VED0-0423
1	1 x Vehicle dock (advanced I/O)	1 x Vehicle dock (charger only)
2	1 x Vehicle power cable (vehicle battery)	1 x Vehicle power cable (vehicle battery)

## Dimensions

Unit: mm



# AIM-68S VESA Docking Station



## Features

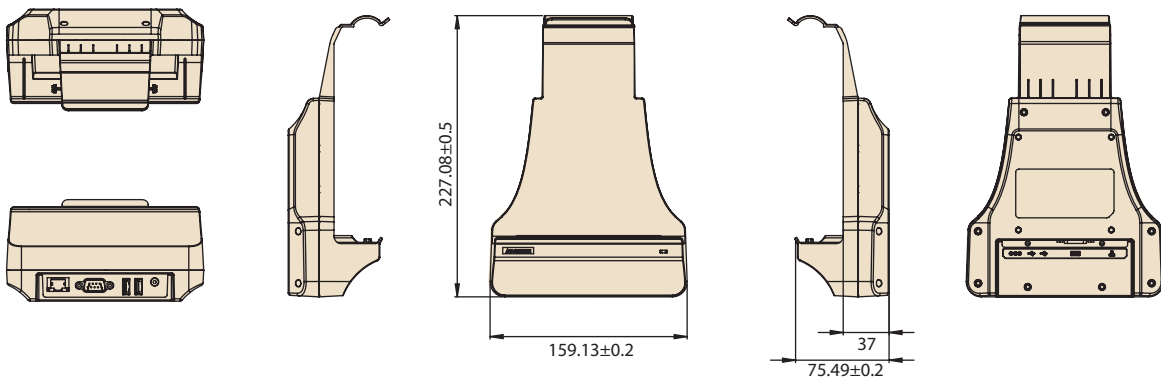
- 9 ~ 32 V wide input voltage range
- VESA (75 x 75 mm)-compliant docking stations
- -10 ~ 50 °C (14 ~122 °F) operating temperature
- Reliable docking connector for office applications

## Specifications

		Advanced VESA Docking Station	VESA Docking Station with USB
I/O		2 x USB 3.0 1 x RS-232 COM 1 x Gigabit LAN 1 x Power jack	2 x USB 2.0 1 x Power jack
Stand		N/A	N/A
Power	Input Voltage	9 ~ 32 V	9 ~ 32 V
Mechanical	Dimensions (W x D x H)	159.13 x 75.49 x 227 mm (6.3 x 2.9 x 8.9 in)	159.13 x 75.49 x 227 mm (6.3 x 2.9 x 8.9 in)
	Weight	0.33 kg (0.72 lb)	0.32 kg (0.71 lb)
Environment	Operating Temperature	-10 ~ 50 °C (14 ~122 °F); 0 ~ 40 °C (32 ~104 °F) for charging	-10 ~ 50 °C (14 ~122 °F); 0 ~ 40 °C (32 ~104 °F) for charging
	Storage Temperature	-20 ~ 70 °C (-4 ~ 158 °F)	-20 ~ 70 °C (-4 ~ 158 °F)
	Safety	UL, CB, LVD, CCC	UL, CB, LVD, CCC
	Certifications	CE, FCC, CCC	CE, FCC, CCC

## Dimensions

Unit: mm



## Ordering Information

Part Number	Description
AIM-VSD0-0470	AIM 10 advanced VESA docking station
AIM-VSD0-0471	AIM 10 VESA docking station with USB

## Packing List

Item	AIM-VSD0-0470	AIM-VSD0-0471
1	1 x VESA dock (advanced I/O)	1 x VESA dock (charger and USB only)

Note: The product does not come with an adapter or power cord. Customers will need to order these items separately using the appropriate part numbers.

## Optional Accessories

Part Number	Description
AIM-ADP0-0424	ADP A/D 100-240V 65W 19V DC IN
1700001947	Power cord (USA) UL 2P 7A 125V 183 cm
1700001949	Power cord (UK)BSI 2P 2.5A 250V 183cm
1700029278-01	Power cord (Japan) PSE 2P 7A 125V 183cm
1700029279-01	Power cord (NZ/AU) SAA 2P 2.5A 250V 183 cm
1700008972	Power cord (China)CCC 2P 2.5A 250 V 183 cm
1700001948-11	Power cord (EU) EU 2P 2.5A 250 V 183 cm
1700021662-01	Power cord (TW) BSMI 2P 2.5A 125V 183cm

# AIM-68S Desk Docking Station



## Features

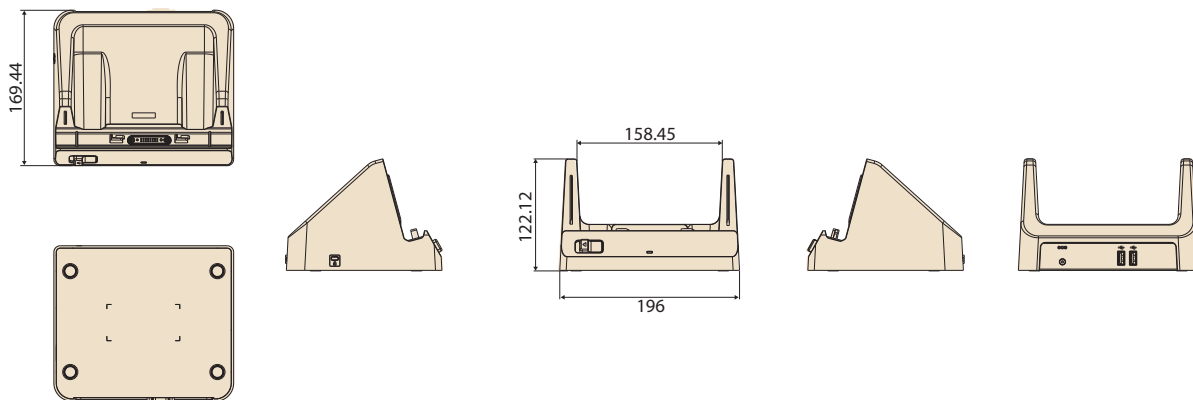
- -10 ~ 50 °C (14 ~122 °F) operating temperature
- Reliable docking connector for office applications

## Specifications

		Desk Docking Station with USB
I/O		2 x USB 2.0 1 x Power jack
Power	Input Voltage	19 V
Mechanical	Dimensions (W x D x H)	196 x 169.44 x 122.12 mm (7.72 x 6.67 x 4.81 in)
	Weight	0.75 kg (1.65 lb)
Environment	Operating Temperature	-10 ~ 50 °C (14 ~122 °F); 0 ~ 40 °C (32 ~104 °F) for charging
	Storage Temperature	-20 ~ 70 °C (-4 ~ 158 °F)
	Safety	UL, CB, LVD, CCC
	Certifications	CE, FCC, CCC

## Dimensions

Unit: mm



## Ordering Information

Part Number	Description
AIM-OFD0-0481	AIM 10 desk dock station with USB

## Packing List

Item	AIM-OFD0-0481
1	1 x Office dock (charger and USB only)

Note: The product does not come with an adapter or power cord. Customers will need to order these items separately using the appropriate part numbers.

## Optional Accessories

Part Number	Description
AIM-ADP0-0424	ADP A/D 100-240V 65W 19V DC IN
1700001947	Power cord (USA) UL 2P 7A 125 V 183 cm
1700001949	Power cord (UK) BSI 2P 2.5A 250V 183cm
1700029278-01	Power cord (Japan) PSE 2P 7A 125V 183cm
1700029279-01	Power cord (NZ/AU) SAA 2P 2.5A 250V 183 cm
1700008972	Power cord (China)CCC 2P 2.5A 250 V 183 cm
1700001948-11	Power cord (EU) EU 2P 2.5A 250 V 183 cm
1700021662-01	Power cord (TW) BSMI 2P 2.5A 125V 183cm

# AIM-68S Extensions and Accessories

## Extension Modules

**Barcode Scanner (20°)**



**Barcode Scanner (70°)**



**LAN RJ-45 module**



**UHF RFID reader (flat type)**



Part Number	AIM-EXT0-0040	AIM-EXT0-0041	AIM-P531A0	AIM-EXT0-0050
<b>Features</b>	<ul style="list-style-type: none"> <li>Sensor: 640 x 480 CMOS sensor</li> <li>Illumination &amp; Aiming: White LED illuminator/Red LED dot aimer</li> <li>Frame rate: 30 fps</li> <li>Field of view: Horizontal: 37.8°; Vertical: 28.8°</li> </ul>	<ul style="list-style-type: none"> <li>Sensor: 640 x 480 CMOS sensor</li> <li>Illumination &amp; Aiming: White LED illuminator/Red LED dot aimer</li> <li>Frame rate: 30 fps</li> <li>Field of view: Horizontal: 37.8°; Vertical: 28.8°</li> </ul>	1 x 10/100 Ethernet port	<ul style="list-style-type: none"> <li>RFID output: 25W</li> <li>Antenna type: Linear polarization</li> <li>Frequency: EU: 867 ~ 869 MHz</li> <li>Supported tag standard: EPC Class 2, Gen. 2/ ISO 18000-6C</li> </ul>
<b>Dimensions</b>	130.2 x 38.7 x 27.8 mm (5.12 x 1.52 x 1.09 in)	130.2 x 38.7 x 32 mm (5.12 x 1.52 x 1.25 in)	130 x 38.7 x 31 mm/5.12 x 1.52x1.22 in	130.2 x 110.75 x 82.51 mm/ 5.12 x 4.35 x 3.25 in
<b>Weight</b>	0.042 kg (0.092 lb)	0.042 kg (0.092 lb)	0.044 kg / 0.097 lb	160 g/0.352 lb

## Accessories

**Hand Strap**



**Shoulder Strap (Portrait)**



**Shoulder Strap (Landscape)**



**360° rotatable hand strap**



Stylus Holder

Part Number	AIM-SRP0-0000	AIM-SRP0-0001	AIM-SRP0-0002	AIM-SRP0-0004
<b>Features</b>	Black With one stylus holder	Black With one stylus holder	Black With one stylus holder	Black 360° rotatable
<b>Dimensions</b>	240 x 20 mm (9.44 x 0.78 in)	380 x 135 x 20 mm (14.96 x 5.31 x 0.78 in)	1820 x 20 mm (71.65 x 0.78 in)	160 x 160 mm (6.3 x 6.3 in)
<b>Weight</b>	0.022 kg (0.048 lb)	0.05 kg (0.11 lb)	0.05 kg (0.11 lb)	158g (0.35lb)

**Active Stylus**



<b>Part Number</b>	AIM-P705
<b>Features</b>	Silver
<b>Dimensions</b>	140 x 9.7 mm (5.51 x 0.38 in)
<b>Weight</b>	0.02 kg (0.044 lb)