

BB-ACH0-CA-DP003-G

AirborneM2M™ Ethernet Cable

RJ-45 to Hirose 7-position connectors



Features

- NOTE: for use with these AirborneM2M™ models:
BB-ABDN-ER-DP553 -- serial server, open board
BB-APXN-DP553 – access point, open board
- Terminal Pull-out Force: 2.0 kg.
- Continuity Testing, insulation resistance: 5 M Ohm, min.
- Continuity Testing, conductive resistance: 1.0 M Ohm, max.
- UL, CM, cUL, RoHS

Introduction

Model BB-ACH0-CA-DP003-G, RJ45 to Hirose 7-position cable, can be used with Airborne Wi-Fi products from Advantech. It meets UL, CM, cUL, RoHS standards.

Ordering Information

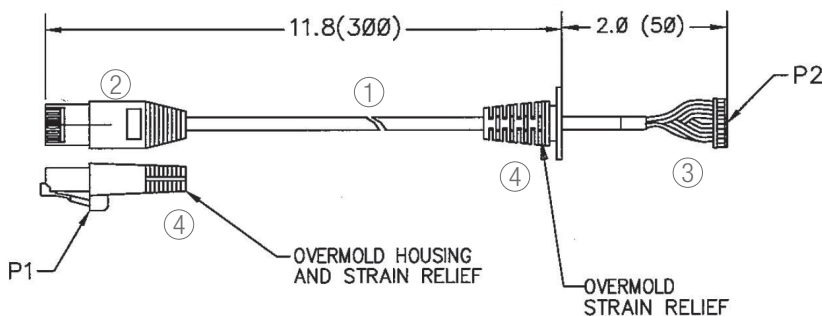
Model No.	Connector 1	Connector 2	Length	Color
BB-ACH0-CA-DP003-G	RJ-45	Hirose, 7-position	350mm (13.8 in)	Gray

Wiring

RJ45P (P1)	HIROSE (P2) 7-Position	Wire Color
4 / 5	4	Blue & Blue / White
6	5	Green
3	6	Green / White
7 / 8	1	Brown & Brown / White
2	2	Orange
1	3	Orange / White
–	7	(Drain)

Mechanical Drawing

Units = inches (mm)



- ① Cable, UL CM+cUL, Cat-3 or more, STP, 26-28AWG stranded x 4PR, Ae, Foil Shield w/Drain Wire, PVC, OD: 0.216 +/- 0.007, Color: Gray
- ② (P1) RJ45-P connector, AMP pn# 554169 (or equivalent)
- ③ (P2) HIROSE connector, pn# DF13-7S-1.25C (or equivalent)
- ④ Strain Relief Material: PVC, 45P, Shore A 84 +/- 5.0 degrees. Color: Gray

Strain Relief Moldings

Units = inches

