

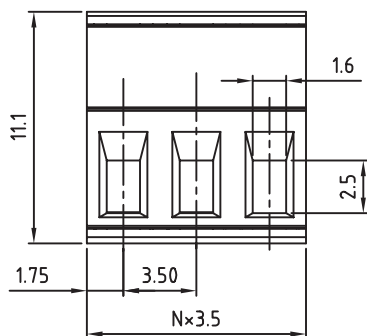
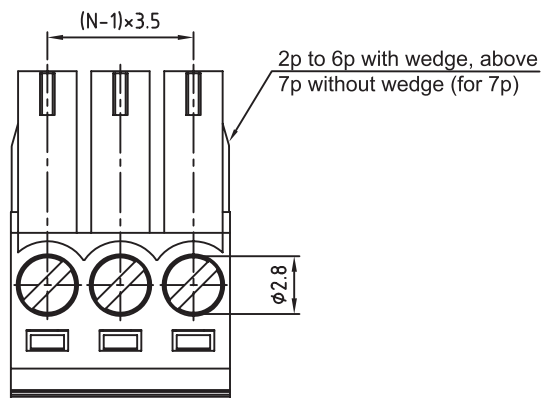
1

2

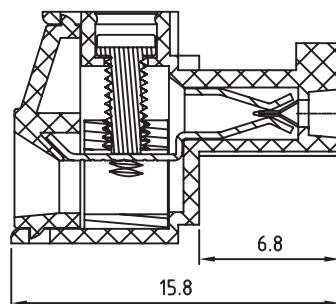
3

4

5



N=Number of contacts



TECHNICAL CHARACTERISTICS

MATERIAL
 INSULATOR: PA 66
 FLAMABILITY RATING: UL94-V0
 COLOR: GREEN
 METAL HOUSING: BRASS (CuZn)
 TERMINAL SCREW: STEEL ZINC PLATING
 TERMINAL SCREW SLOT TYPE: "-"
 WIRE GUARD: PhBz TIN PLATED

ENVIRONMENTAL
 OPERATING TEMPERATURE: -40 UP TO 105°C
 COMPLIANCE: LEAD FREE AND ROHS

| | | |
|-----------------------|-------------|--------|
| ELECTRICAL | cULus | VDE |
| CURRENT RATING: | 10A | 10.5A |
| WORKING VOLTAGE: | 300VAC | 300VAC |
| WITHSTANDING VOLTAGE: | 1.6KV | 2.5KV |
| CONTACT RESISTANCE: □ | 20 mOhm max | |

MECHANICAL
 SOLID WIRE: 26-16 AWG / 0.13-1.5MM²
 STRANDED WIRE: 26-16 AWG / 0.13-1.5MM²
 TORQUE: 3.0Lb-In / 0.34Nm

WIRE STRIPE LENGTH: 6-7MM
 SCREW: M2.0
 PITCH: 3.5MM

PACKAGING: BOX

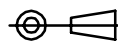
SERIE 3611

CERTIFICATION



RoHS Compliant

PROJECTION:



GENERAL TOLERANCE

.X = +/- 0.2

.XX = +/- 0.15



APPROVAL: RJ

UNIT: MM

SCALE:

SHEET: 1/1

DRAW: MARVIN

DESCRIPTION: SERIE 3611 - 3.50MM VERTICAL CABLE ENTRY PLUG
 1.5MM² WIRES WR-TBL

WERI PART NO: 691 361 100 0xx

SIZE

A4

| | | | |
|-----|-------------|---------|----|
| G | | | |
| F | | | |
| E | | | |
| D | | | |
| C | | | |
| B | | | |
| A □ | 31-OCT-08 □ | PDF □ □ | JP |
| REV | DATE | FILE | BY |