

PPC-315S RPL PPC-317S RPL PPC-319S RPL

15"/ 17"/ 19" Fanless Panel PC with Intel® 13th Gen Core™ i7/i5/i3 Processor



Features

- True-flat touchscreen with Industrial-grade LCD panel
- High-performance, fanless 13th generation Intel® Core™ i processor
- Slim Compact, fanless design with aluminum alloy enclosure
- IP66-rated front panel
- Supports dual displays (1 x external DP)
- 1 x M.2 M Key 2242/2280 (SATA or NVMe PCIe x 4) for storage, support SATA RAID 0,1
- 2 x 2500BASE-T Ethernet Supports Time-Sensitive Network(TSN) technology
- Supports VESA 75
- Support TPM2.0 hardware security
- Support iDoor
- Support PCI or PCIe



Introduction

PPC-300S RPL equipped Intel 13th Gen Core i7/i5/i3, providing high computing performance with a slim & compact design and robust aluminum alloy enclosure. It also leverages M.2 M key NVMe PCIe to accommodate extremely high data rate and low latency advantage. PPC-300S RPL features 4 x USB, 2 x series ports and 1 x DP for flexible access and connection. The addition optional of PCIe/PCI slots or iDoor for fieldbus or proprietary card extensions increases the compatibility of the system for various applications. The PPC-300S RPL series is an excellent solution to enable quick data capture, processing and data digitalization in various industrial applications.

Specifications

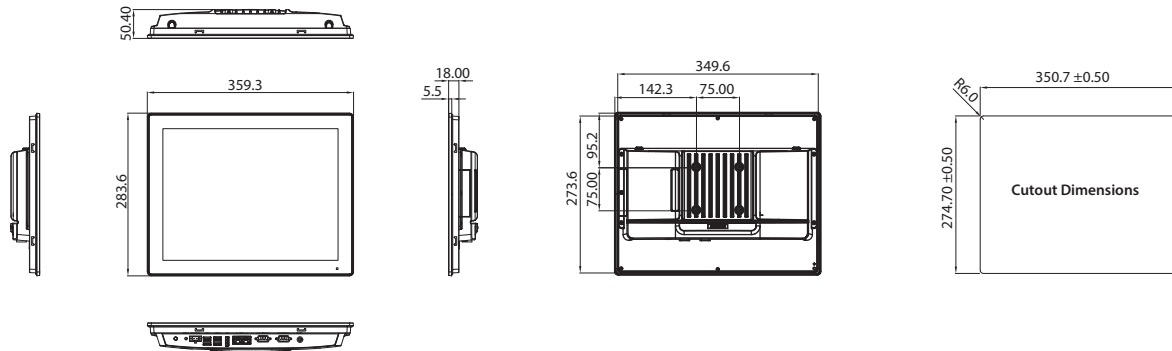
		i3-1315UE	i5-1335UE	i7-1365UE
System	CPU	i3-1315UE	i5-1335UE	i7-1365UE
	Core	6	10	10
	Frequency	1.20 GHz upto 4.5GHz with Turbo	1.30 GHz upto 4.5GHz with Turbo	1.70 GHz upto 4.9GHz with Turbo
	Cache	10 MB	12 MB	12 MB
	Memory	1 x SODIMM, DDR5 4800MHz, max. 32GB		
	Storage	1 x 2.5" SATA bay* (PPC-312SW optional) 1 x M.2 M Key 2242/2280 (SATA or NVMe PCIe x 4), support SATA RAID 0,1		
	Network (LAN)	2 x 10/100/1000/2500 Mbps Ethernet (Intel I226 LM)		
	I/O	2 x RS-232/422/485 3 x USB3.2, 1 x USB2.0 2 x USB2.0 (optional)* 1 x DP 1 x line out (PPC-312SW w/o)		
	Expansion	1 x M.2 B key 2242 or 3042/3052 (SATA, PCIe X1, USB 3.0 & SIM slot)*** 1 x M.2 E Key 2230 (PCIe & USB 2.0) 1 x iDoor (optional)* 1 x PCI or PCIe x1 (optional)**		
Watchdog Timer	255 timer levels; setup by software			
Speaker	1 x 2W			

		15" TFT LCD (LED backlight)	17" TFT LCD (LED backlight)	19" TFT LCD (LED backlight)
LCD	Display Type	15" TFT LCD (LED backlight)	17" TFT LCD (LED backlight)	19" TFT LCD (LED backlight)
	Max. Resolution	1024 x 768	1280 x 1024	1280 x 1024
	Viewing Angle	88 (left), 88 (right), 88 (up), 88 (down)	89 (left), 89 (right), 89 (up), 89 (down)	89 (left), 89 (right), 89 (up), 89 (down)
	Luminance (cd/m ²)	300	250	450
	Contrast Ratio	2000	1000	1000
	Backlight Lifetime	50,000hrs (min.)		
Touchscreen	Touchscreen type	5 wire resistive touch or Multi-touch projected capacitive		
	Light Transmission	80%±5% (Res) or >86% (P-cap)		
	Controller	USB interface		
Physical Characteristics	Dimensions	359.6 x 283.6 x 50.4 mm (14.1 x 11.2 x 2.0 in)	393.4 x 325.8 x 53.4 mm (15.5 x 12.8 x 2.1 in)	429.7 x 354.6 x 56.4 mm (16.9 x 13.96 x 2.2 in)
	Weight	4.29 kg (9.46 lb)	5.17 kg (11.4 lb)	6.3 kg (13.9 lb)
OS Support	OS Support	Windows 10 LTSC, Windows 11, Linux		
Power Consumption	Input Voltage	24V _{DC} ± 30%		
	Power Consumption	75W	85W	70W
Environment	Operating Temperature	-10 ~ 50 °C (32 ~ 122 °F)		
	Storage Temperature	-30 ~ 60 °C (-22 ~ 140 °F)		
	Relative Humidity	95% @ 40 °C (Non-Condensing)		
	Shock	Operating 10 G Peak Acceleration (11 ms Duration), Follows IEC 60068-2-27		
	Vibration	Operating Random Vibration Test 5-500Hz, 2Grms @with SSD, Follows IEC 60068-2-64		
	EMC	CE, FCC Class B, BSMI, EN60601-1-2, UKCA		
	Safety	CB, UL, CCC, UKCA		
	Front Panel Protection	IP66 compliant		

Dimensions

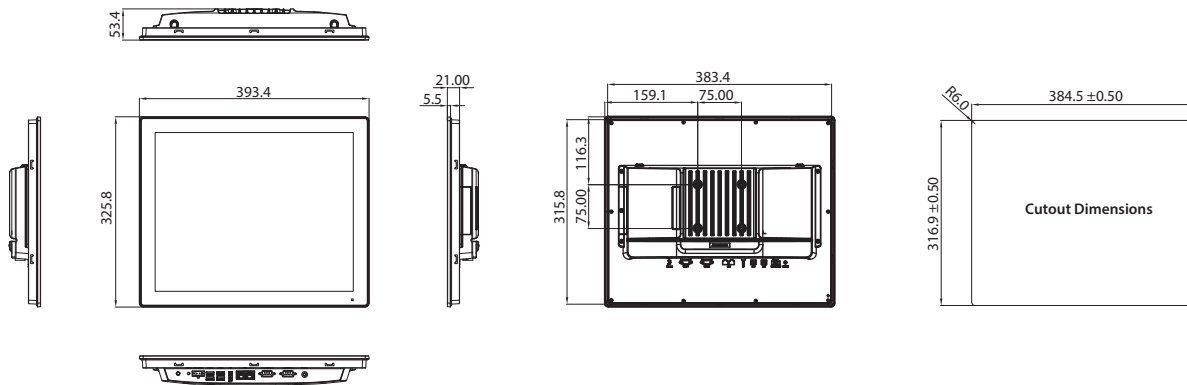
Unit: mm

PPC-315S



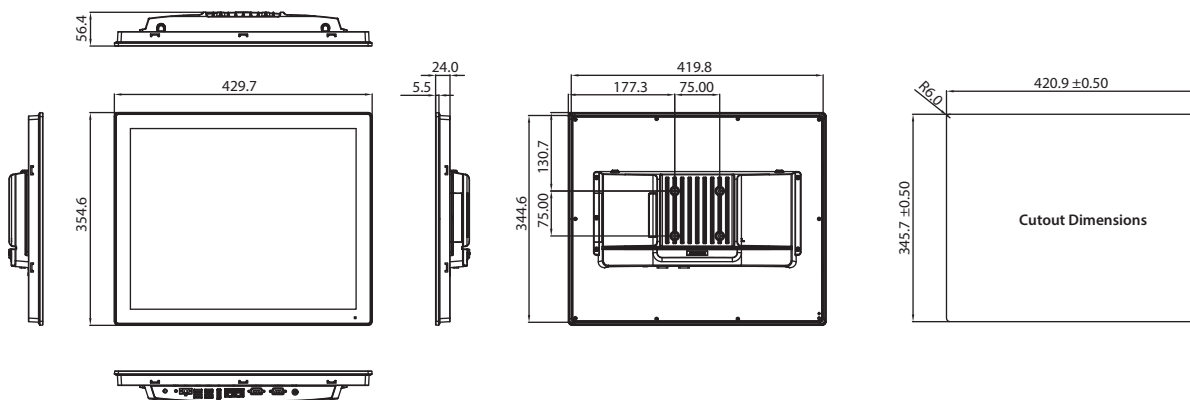
Panel Cutout Dimensions: 350.7 x 274.7 mm (13.81 x 10.82 in)

PPC-317S



Panel Cutout Dimensions: 384.5 x 316.9 mm (15.14 x 12.48 in)

PPC-319S



Panel Cutout Dimensions: 420.9 x 345.7 mm (16.57 x 13.61 in)

Ordering Information

Part Number	Description
PPC-315S-RDI3A	15" PPC w/Intel i3-1315UE, Res.
PPC-315S-RDI5A	15" PPC w/Intel i5-1335UE, Res.
PPC-315S-PDI5A	15" PPC w/Intel i5-1335UE, P-Cap
PPC-315S-RDI7A	15" PPC w/Intel i7-1365UE, Res.
PPC-317S-RDI3A	17" PPC w/Intel i3-1315UE, Res.
PPC-317S-RDI5A	17" PPC w/Intel i5-1335UE, Res.
PPC-317S-PDI5A	17" PPC w/Intel i5-1335UE, P-Cap
PPC-317S-RDI7A	17" PPC w/Intel i7-1365UE, Res.
PPC-319S-RDI3A	19" PPC w/Intel i3-1315UE, Res.
PPC-319S-RDI5A	19" PPC w/Intel i5-1335UE, Res.
PPC-319S-RDI7A	19" PPC w/Intel i7-1365UE, Res.
PPC-319S-PDI5A	19" PPC w/Intel i5-1335UE, P-Cap
96PSA-A120W24T2-4	Power adapter 100-240V 120W 24V
1702002600	Power Cable UL/CSA (USA) 180D 125V10A 1.83M
1702002605	Power Cable 90D 220V EUROPEAN 250V/6A 1.8M
1700000237	Power Cord PSE 3P 12A 125V 183cm
96CB-POWER-B-1.8MA	Power code 3P CCC(China) 1.8M
PPC-174T-WL-MTE	Wall mount kit for PPC series
PPC-STAND-A1E	Stand for PPC series
PPC-ARM-A03	ARM VESA Standard for PPC series
PPC-WLAN-D2	M.2, WiFi6 +BT5.2, 2T2R, w/Antenna
98R3P300010	PPC-300 RFID, Read only 13.56MHz&125k
98R1P300S00	Add-on box for PCI or PCIe expansion (include PCI / PCIe riser card)**
98R1P300S10	Additional ports module (2 x USB 2.0)*

* iDOOR , additional ports or 2.5" SATA bay can't be installed in the same time since they share the same space.

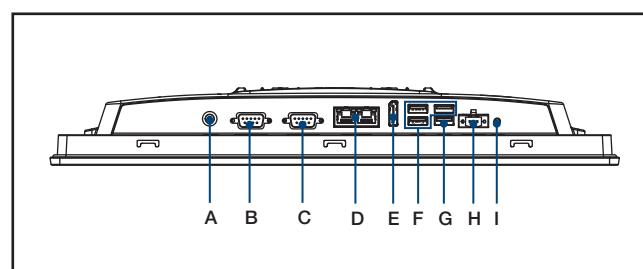
** PCIe riser card supports PCIe x1 singal, but the slot is PCIe x4(PCle x1 compatible).

*** For Storage,choose either the B key or the 2.5" SATA bay.

Support iDoor Modules

Part Number	Description
PCM-34R1TP-AE	1 port Gigabit Ethernet, Intel® I225, 2.5Gb/s, TSN
PCM-34R2GL-AE	2 ports Gigabit Ethernet, Intel® I350
PCM-34D2R4-AE	2 ports Isolated RS-422/485, DB9
PCM-34D2R2-AE	2 ports Isolated RS-232, DB9
PCM-34D4R4-AE	4 ports non-isolated RS-422/485, DB37 cable
PCM-34D4R2-AE	4 ports non-isolated RS-232, DB37 cable
PCM-37D24DI-AE	4 channels isolated digital I/O with counter, DB37
PCM-23C1CF-BE	1 slot CFast iDoor for CFast

I/O View



- A. Line out (PPC-312SW w/o)
- B. COM1: RS-232/422/485
- C. COM2: RS-232/422/485
- D. 2 x LAN
- E. DP
- F. 3 x USB 3.2
- G. 1 x USB 2.0
- H. DC-In
- I. Power Button

Please note: If some optional modules are offered with the system, additional system certificates may be required in certain regions/countries. Please contact Advantech for certificate compliance.