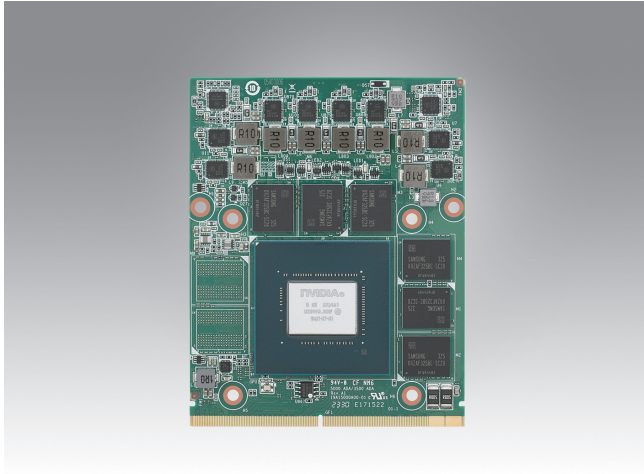


SKY-MXM-3500A

MXM 3.1 Type B+ NVIDIA® Quadro® Embedded 3500 Ada with DP 1.4a



CE FCC

Features

- NVIDIA® Quadro® 3500 Ada with MXM 3.1 TYPE B+ form factor (82 x 105 mm)
- Up to 5120 CUDA cores , 40 RT cores and 160 Tensor cores, 40 TFLOPS
- GDDR6 12GB memory, 192-bit, bandwidth 432 GB/s
- Discrete or MS-Hybrid mode supported
- Memory Error Correction Code (ECC) supported
- Encode Sessions Unlimited
- GPUDirect® Remote Direct Memory Access (RDMA) and Video supported
- Up to 4 x DisplayPort 1.4a outputs
- Long life cycle, supports 5 years availability

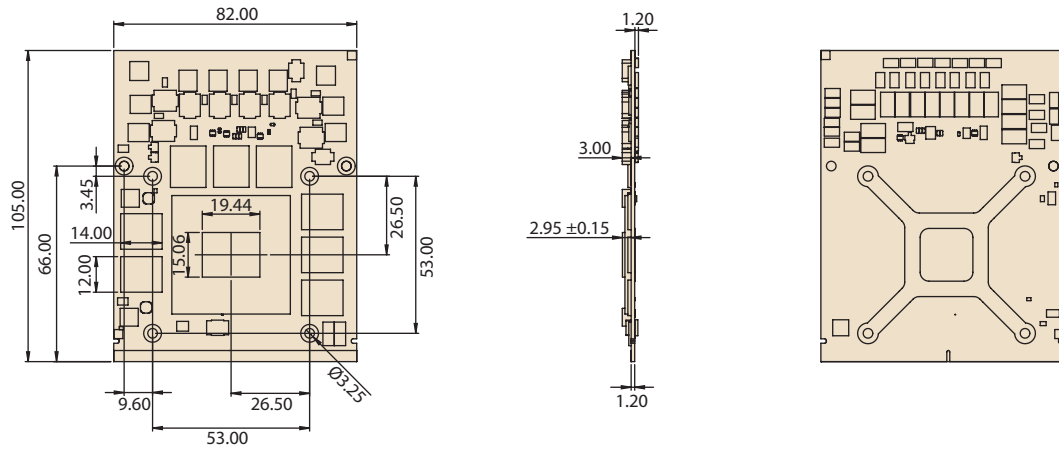
Specifications

Processor System	GPU	Quadro® 3500 Ada	
	Graphic Architecture	NVIDIA® Ada Lovelace™ AD104-925	
	CUDA Parallel-Processing Cores	5,120 CUDA® cores	
	GPU Base/Boost Clock	1725 MHZ / 2250 MHZ	
	RT Cores	40	
	Tensor Cores	160	
	FP32 Performance	23.05 TFLOPS	
Memory	Technology	GDDR6 12GB memory	
	Interface Width	192-bit	
	Bandwidth	432 GB/s	
	Memory ECC	Supported	
Graphics	DP	4 x DisplayPort 1.4a, 4K at 120Hz or 8K at 60Hz (Requires DSC) Support HDMI 2.0 via DP dual-mode, 4K at 60Hz	
Bus	PCI express 3.0	MXM 3.1, Type B+ PCI Express Gen4 x16 supports	
Power Consumption	Max Power Consumption	115W	
Environment	Temperature	Operating	Non-Operating
		Humidity	
Features	Encode Supported Sessions	Unlimited	
	RDMA	Supported	
Physical	Dimensions	82 (W) x 105 (D) mm	
	Form Factor	MXM 3.1 Type B+(Proprietary thermal solution required)	
OS	Microsoft	Windows 10/11, 64-bit	
	Linux	Linux Drivers, 64-bit	

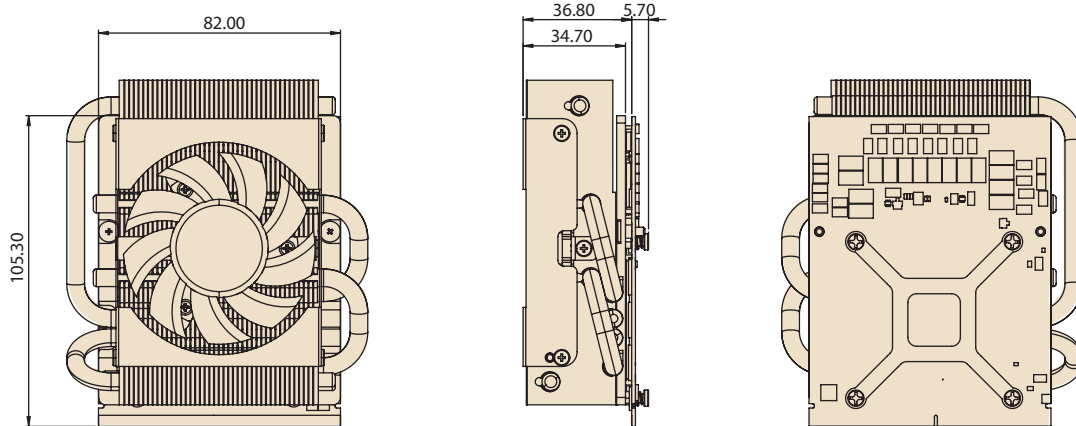
Dimensions

Unit: mm

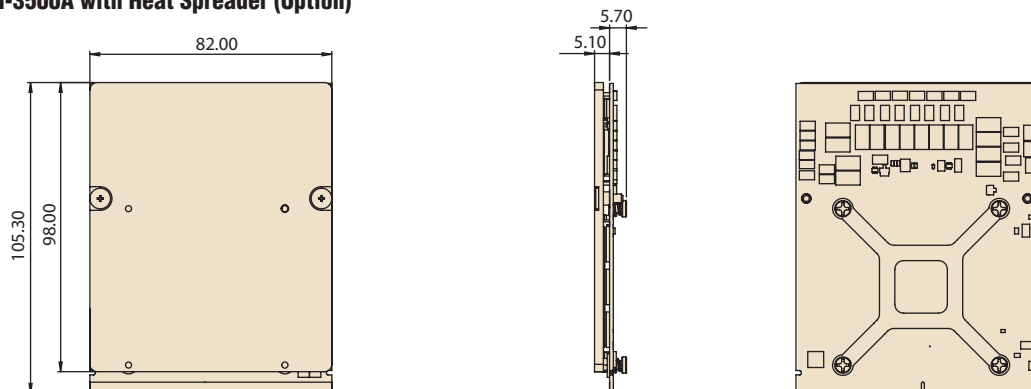
SKY-MXM-3500A



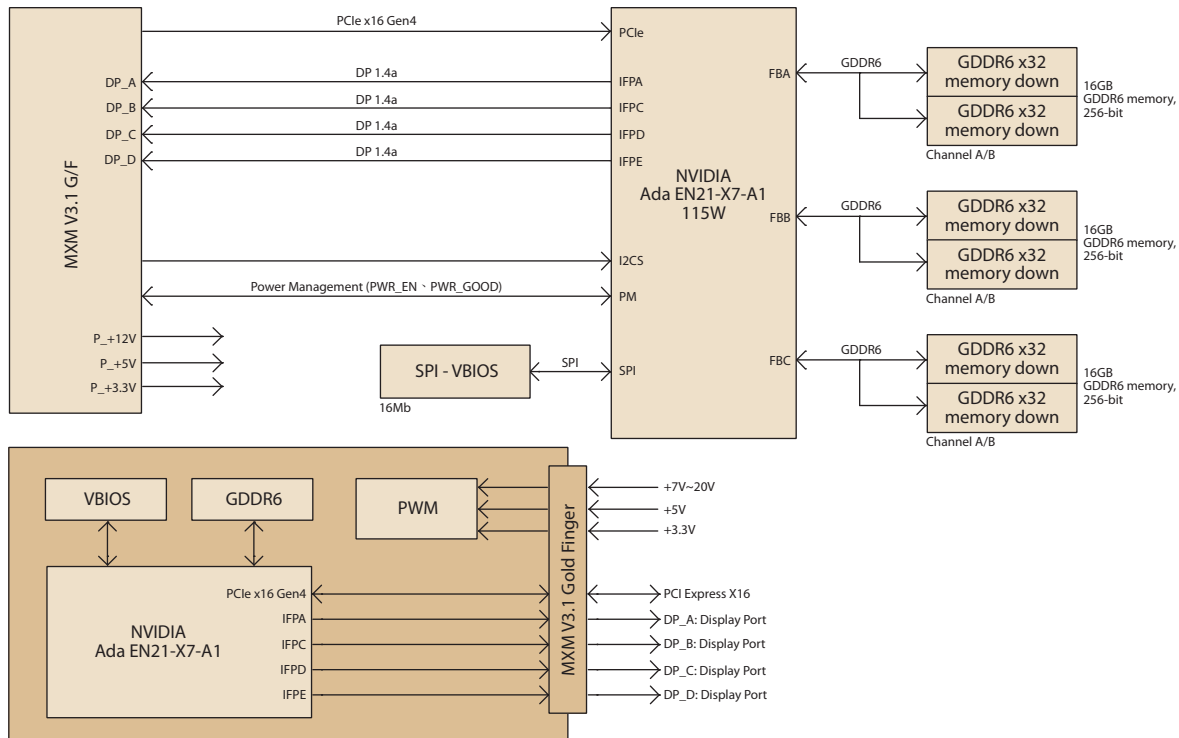
SKY-MXM-3500A with Fan Cooler (Option)



SKY-MXM-3500A with Heat Spreader (Option)



Block Diagram



Ordering Information

Part Number	GPU Memory	GPU Base/Boost Clock	RT Cores	Tensor Cores	FP32 Performance	Max Power Consumption	Display Connectors	Supported Features
SKY-MXM-3500A-2SDA	12GB GDDR6	1725 MHZ / 2250 MHZ	40	160	23.05 TFLOPS	115W	DP 1.4 * 4	Discrete Mode
SKY-MXM-3500A-2SHA	12GB GDDR6	1470 MHZ / 1995 MHZ	40	160	20.43 TFLOPS	80W	Headless Design	MS-Hybrid Mode

Optional Accessories

Thermal Solution

Part Number	Description	Material	Dimension (mm)	Operating Temp Support
98R1X450010	Fan Cooler	Aluminum	110(L) x 102(W) x 36.6(H)	0 ~ 55°C
98R1X450000	Heat Spreader	Aluminum	98(L) x 82(W) x 4.9(H)	Depending on system thermal solution

MXM-Carrier

Part Number	Description	PCIe Interface	Dimension (mm)	Display Output
SKY-MXM-CARG4	MXM-Carrier PCIe to MXM PCIe Gen4	Gen4 x 16	235.95(L) x 162.2(H)	4 x DisplayPort 1.4a